

## New • COMMERCIAL FISHING • Thru-Hull Stem Mount

### B256

50/200 kHz Dual Frequency/1.2 kW

This new moderately priced transducer provides a quantum performance improvement for 50/200 kHz echosounders. Using four PZT elements in a diamond pattern (instead of a single element), this new transducer has a much greater active surface area for greater power handling capability, and cavitation is practically eliminated. Its narrower beam width provides greater depth range and much better fish detection. The transducer is available in depth and depth/temperature configurations. Urethane fairings are recommended for all installations. These fairings are easy to cut and will not swell or rot. The B256 is available with either a low speed fairing which vertically orients the soundbeam or our new streamlined fairing for greatly improved echosounding above 20 knots and reduced drag.

#### Features

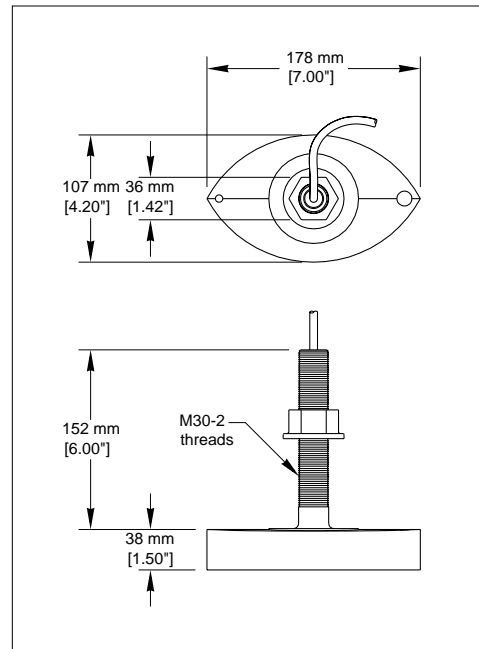
- Good deep water fish detection
- Elliptical sound beam
- Streamlined housing creates minimal drag
- Robust 26 mm (1") diameter stem
- Designed to meet CE requirements

#### Specifications

- Housing and nut material: bronze
- Threads: M30 x 2
- Standard cable type: C33— shielded twisted pair (2–20) with braided shield, black neoprene jacket, 6.8 mm ( $1\frac{7}{64}$ " ) diameter
- Standard cable length: 10 m (33')
- Weight: 3.7 kg (8.2 lb.)
- Individually packaged
- Accommodates hull thickness:
  - Min. no fairing 19 mm ( $\frac{3}{4}$ " )
  - Max. no fairing 114 mm ( $4\frac{1}{2}$ " )
  - Max. with fairing 45 mm ( $1\frac{3}{4}$ " )

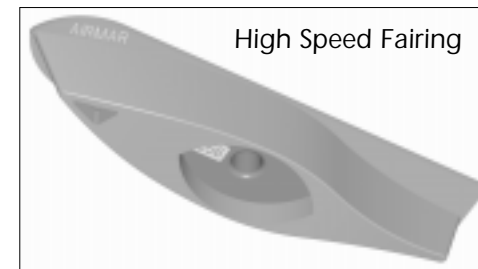
#### Options

- Standard urethane fairing #33-226-01
- High speed urethane fairing #33-357-01
- Temperature sensor
- Waterproof molded connector



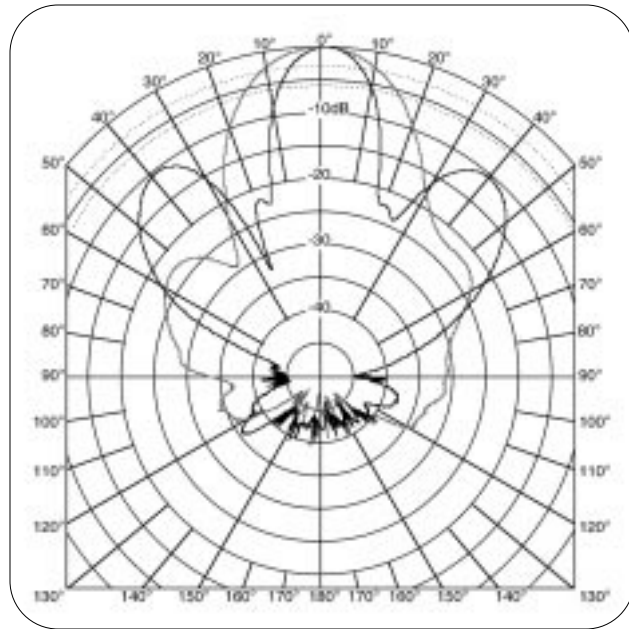
#### Applications

- Fiberglass or wood hulls only

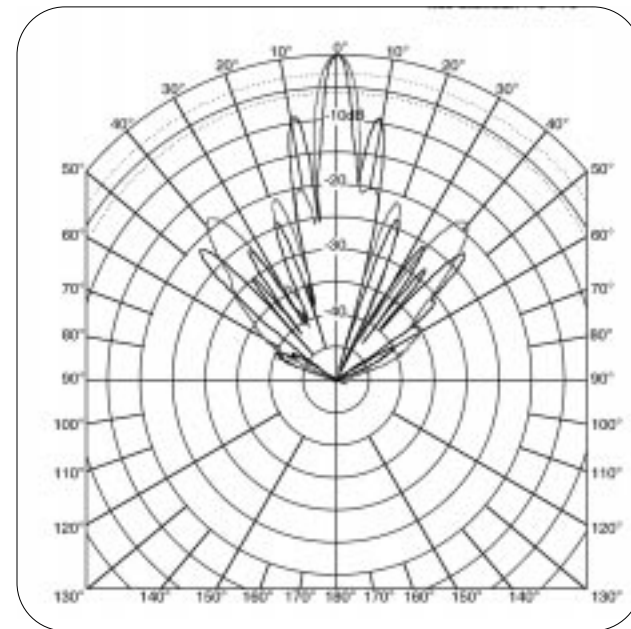


New • COMMERCIAL FISHING • Thru-Hull Stem Mount

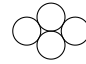
50/200 kHz – B (50 kHz)



50/200 kHz – B (200 kHz)



—— FORE-AFT AXIS  
 —— PORT-STARBOARD AXIS

PERFORMANCE DATA		
Frequency <sup>1</sup> – Airmar Piezoceramic Designator <sup>2</sup>	50/200kHz – B	
Element Material/Quantity x Diameter (mm)	PZT / 4 x 44	
Element Configuration (not to scale)		
Beam Width at –3 dB	14° x 23°	3° x 5°
Q (fr/Δ f @ –3 dB) <sup>4</sup>	27	30
Rated RMS Power (W)	1,200	1,200
Voltage Responses: Transmit/Receive <sup>5</sup> (dB)	161/–168	170/–178
Figure of Merit (Insertion Loss) <sup>6</sup> (dB)	–19	–9
Balanced Impedance <sup>7</sup> : Resistance, Rp (ohm) Capacitance, Cp (pF)	200	370
	2,390	880
Series Impedance [R – jX] <sup>8</sup> (ohm)	190 – j30	320 – j130
Acoustic Window Material	Urethane	

Note: See page c 3 for footnotes.