

# FURUNO®

Easy to use handheld control

## MARINE VHF RADIOTELEPHONE

with DSC modem and CH70 watch receiver

Model **FM-2721**

- 25 W VHF radiotelephone with control in palm
- Stylish waterproof handset
- Compact blackbox transceiver
- Extensive message storage
- Full control from waterproof handset with large LCD
- Intercom facility
- Optional second antenna for continual watch on CH70 irrespective of VHF operation



The Furuno FM-2721 is a high-performance, 25 W marine VHF radiotelephone with class-D DSC (Digital Selective Calling) facilities and CH70 watchkeeping receiver. The equipment is designed for pleasure craft and small fishing boats operating under “simplified” GMDSS (Global Maritime Distress and Safety System) while the SOLAS Convention ships must be equipped with DSC facilities meeting full GMDSS requirements.

Current distress calling for non-SOLAS ships is made on CH16 by voice. However, watch of CH16 by the coastal stations as well as SOLAS ships will cease on July 1, 2005, totally switching to DSC watch on CH70. The DSC uses a digital signal to send information on MMSI (Maritime Mobile Service Identity), working frequencies, etc. so that a calling is addressed to a

designated user or group who has DSC facilities. In an emergency, a distress alert can be initiated by pressing the dedicated distress button on the handset. The distress alert should be instantly acknowledged by ships equipped with DSC capability as well as coastal stations. DSC also allows users to call specific parties in routine traffic.

The FM-2721 has a built-in watch receiver to keep watching on CH70 while you are receiving or transmitting on another channel (with an additional antenna). The FM-2721 has a 25 W transceiver unit and its control is totally performed on a handset. The transceiver is a blackbox type and can be installed in the cockpit or flybridge. Two handsets provide the intercom facility.



The future today with FURUNO's electronics technology

**FURUNO ELECTRIC CO., LTD.**

9-52 Ashihara-cho, Nishinomiya City, Japan Telephone: +81 (798) 65 2111

Telefax: +81 (798) 65 4200, 66-4622, 66-4623

offered by [Busse-Yachtshop.com](http://Busse-Yachtshop.com)

Catalogue No. V-029a

TRADE MARK REGISTERED  
MARCA REGISTRADA

# SPECIFICATIONS OF FM-2721

## VHF Transceiver

### GENERAL CHARACTERISTICS

- Rules and Regulations** EN 301 025 V1.1.1
- Class of Emission** G3E (telephone), G2B (DSC)
- Communication System** Simplex/Semi-duplex
- Channels**  
All VHF channels according to ITU-R Radio Regulations Appendix S18, All channels in FCC Part 80, Max 20 Private channels where permitted by Administrations (preset by the service agent), 10 weather channels (USA and Canada, receive only).
- Power Supply** 12 V, 6 A max
- Display** 13 characters x 7 lines, character 7 x 5 dots, backlight LCD (dimnable)

### TRANSMITTER

- Frequency Range** 155.00 - 161.475 MHz
- RF Output Power** 25 W, reducible to 1 W  
US Mode: CH67, CH13 at 1 W, manual override for full power.  
CH75, 76 1 W only

- Frequency Stability** 1.5 kHz

### RECEIVER

- Frequency Range** 155.00 - 166.075 MHz
- Receiving System**  
Double-conversion superheterodyne  
IF: 45.1 MHz and 455 kHz

- AF Output Power**

0.1 W (8 loudspeaker)  
1.5 mW (150 handset)  
3 W with optional loudspeaker

- Audio Response** De-emphasis of 6 dB/oct +1/-3 dB
- Sensitivity** -3 dB $\mu$ V at SINAD 20 dB
- Adjacent Channel Selectivity** 70 dB

## DSC Modem (Class-D)

- Distress Call and Message**

Distress call is transmitted as five consecutive calls, repeated after a random delay between 3.5 and 4.5 min from the beginning of initial call.

- Message Storage**

Receive: 50 distress messages plus 50 non-distress messages  
Transmit: 50 messages plus 50 files containing 50 stations ID, 50 telephone No.

- Interface**  
Nav data: IEC 61162 (NMEA 0183)  
Input: \$-GLL, \$-GGA, \$-ZDA, \$-RMC  
Output: \$-TLL

- Alarm**  
Audible and visual on receipt of distress, urgency or routine calls, Position error

- Receiver Characteristics**

DSC frequency: CH70  
Sensitivity: Symbol error rate  $10^{-2}$ , input -3 dB $\mu$ V  
Watch keeping: Continuous watch on CH70

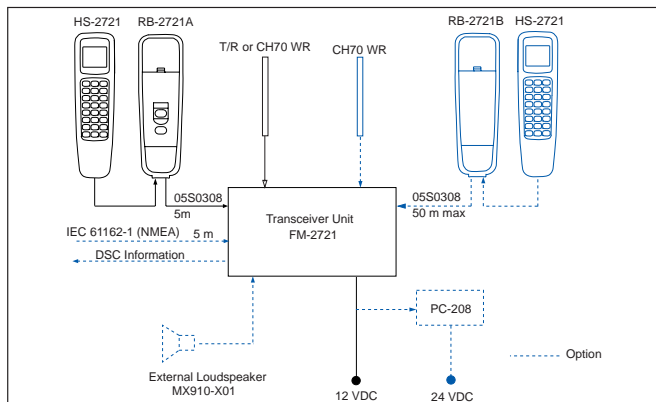
## EQUIPMENT LIST

### Standard

- |                                 |        |
|---------------------------------|--------|
| 1. Transceiver unit FM-2721     | 1 unit |
| 2. Handset HS-2721              | 1 unit |
| 3. Bracket for handset RB-2721A | 1 set  |
| 4. Installation materials       | 1 set  |

### Optional

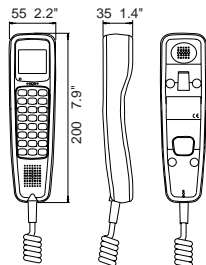
- Handset HS-2721
- Bracket for handset RB-2721B
- External speaker MX910-X01
- VHF antenna RA-106
- VHF antenna 396-1
- DC converter PC-208 (24-12 V)



## HANDSET

### HS-2721

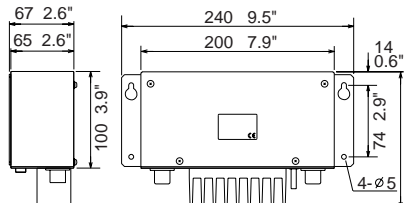
Weight: 0.3 kg 0.7 lb



## TRANSCIVER UNIT

### FM-2721

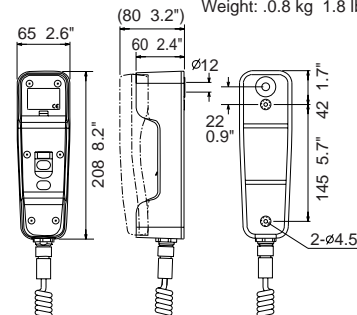
Weight: 2.5 kg 5.5 lb



## BRACKET FOR HANDSET

### RB-2721A

Weight: .08 kg 1.8 lb.



SPECIFICATIONS SUBJECT TO CHANGE WITHOUT NOTICE

### FURUNO U.S.A., INC.

Camas, Washington, U.S.A.  
Phone: +1 360-834-9300 Telefax: +1 360-834-9400

### FURUNO (UK) LIMITED

Denmead, Hampshire, U.K.  
Phone: +44 2392-230303 Telefax: +44 2392-230101

### FURUNO FRANCE S.A.

Bordeaux-Mérignac, France  
Phone: +33 5 56 13 48 00 Telefax: +33 5 56 13 48 01

### FURUNO ESPANA S.A.

Madrid, Spain  
Phone: +34 91-725-90-88 Telefax: +34 91-725-98-97

### FURUNO DANMARK AS

Hvidovre, Denmark  
Phone: +45 36 77 45 00 Telefax: +45 36 77 45 01

### FURUNO NORGE A/S

Alesund, Norway  
Phone: +47 70 102950 Telefax: +47 70 127021

### FURUNO SVERIGE AB

Västra Frölunda, Sweden  
Phone: +46 31-7098940 Telefax: +46 31-497093

### FURUNO SUOMI OY

Helsinki, Finland  
Phone: +358 9 341 7570 Telefax: +358 9 3417 5716

99125SS Printed in Japan