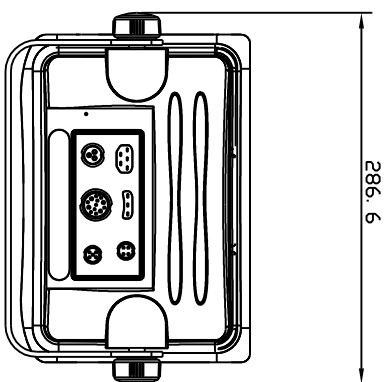
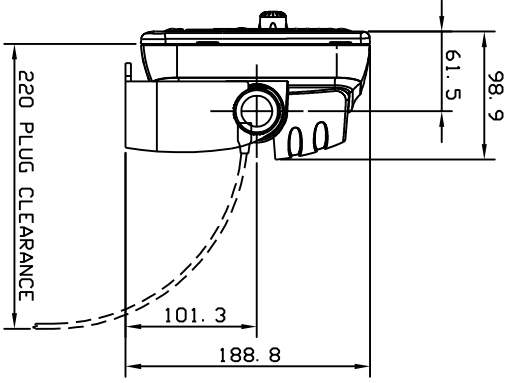


- NOTES:
- 1) FOR INFORMATION ON CONNECTIONS AND PRODUCT SPECIFICATIONS, PLEASE REFER TO HANDBOOK, PRODUCT SUPPORT AND WORKSHOP MANUALS.
  - 2) FOR ANY DIMENSIONAL INFORMATION NOT INCLUDED PLEASE CONTACT YOUR SALES REPRESENTATIVE.
  - 3) DIMENSIONS SHOWN ARE ACTUAL PRODUCT SIZE AND DO NOT INCLUDE ANY CLEARANCE DATA.



**Raymarine**  
ONBOARD

THE INFORMATION CONTAINED HEREIN SHALL NOT BE REPRODUCED WITHOUT THE PRIOR WRITTEN PERMISSION OF RAYMARINE LTD

0 25 25  
PRINTED SCALE

DRAWN TO BS308 DO NOT SCALE - IF IN DOUBT ASK

DR. No. G. I. P. DATE: 20.10.03  
DIMENSIONS IN MM SCALE: 1:4

TITLE C70 TRUNION MOUNT  
DRAWING No. CH\_C70\_TM